

Product: Coaxial Isolator

Part Number: LGL-5.1/7.125-S



Specification				
No.	Parameter	25℃	-30~+70℃	Units
1	Frequency range	5.1-7.125		GHz
2	Insertion Loss	≤0.4	≤0.5	dB
3	Isolation	≥20	≥18	dB
4	VSWR	≤1.3	≤1.35	dB
5	Impedance	50		Ω
6	Forward Power	5W/CW ;1W/RV		
7	Operating Temperature Range	-30~+70℃		
8	Connector	SMA-Male→SMA-Female		
9	Direction	1→2 clockwise		
10	Preferred finish Colour	silver		

Mechanical Specifications	
Housing	Alloy
Connector	Gold plated brass
Contact:	copper
Rohs	compliant
Weight	0.10kg

Outline Drawing:

All Dimensions in mm

Tolerances : Unnoted tolerances are in class m of GB-T1804-2000

All Connectors: SMA-M&SMA-F

成都利德尔科技有限公司 ChengDu Leader Microwave Technology Co.,Ltd

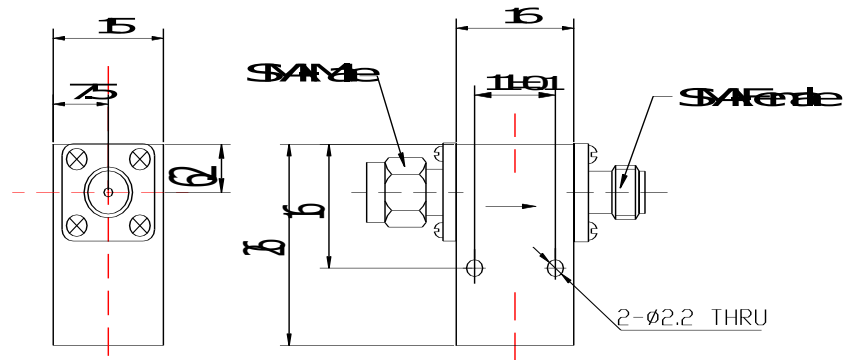
电话: 028-65199117 传真: 028-65199116

<http://www.leadermicrowave.com> sales@leader-mw.com

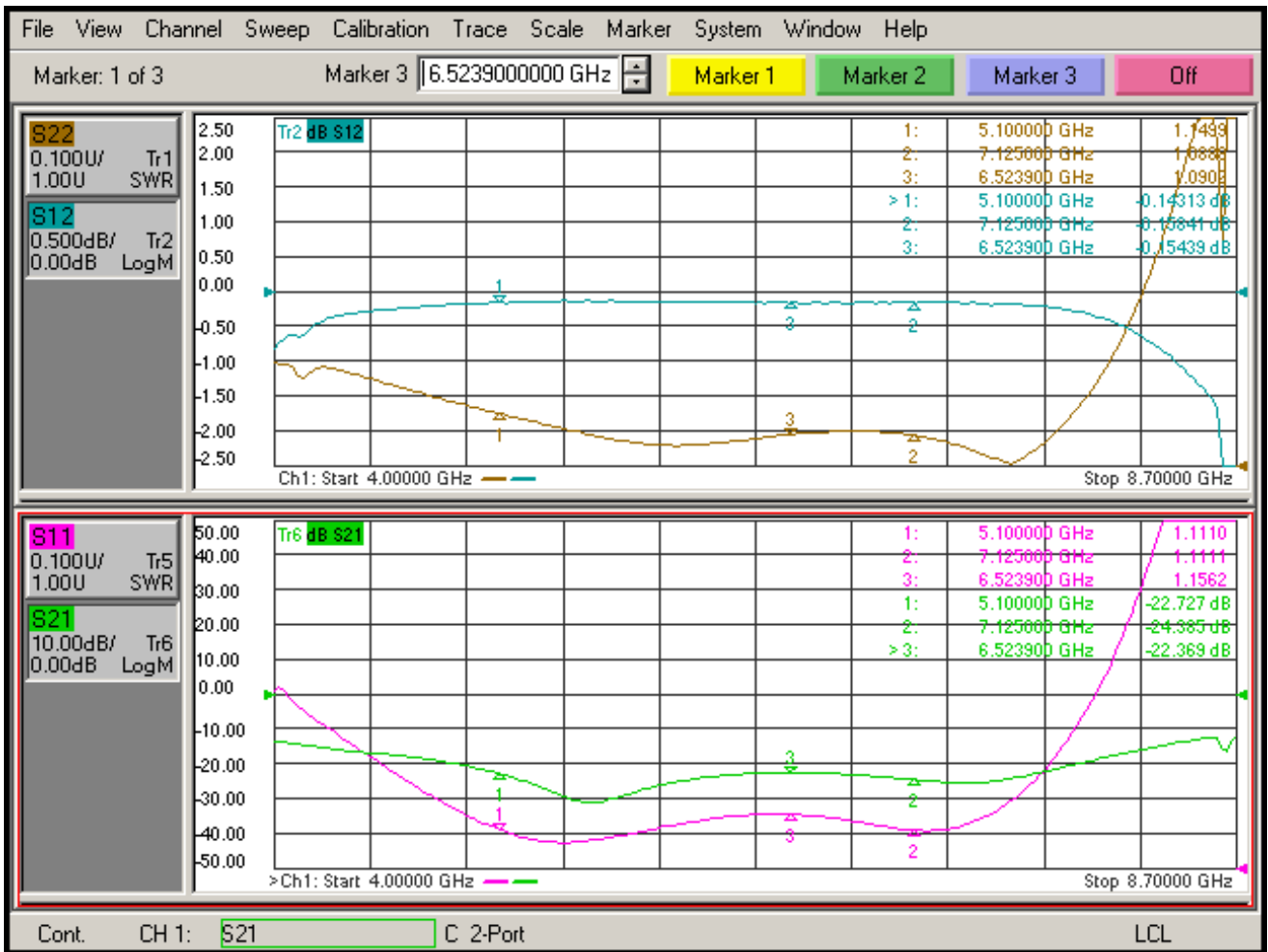
TEL: +86-28-65199117 FAX: +86-28-65199116

Add: 中国 成都市成华区华翰路 89 号 610000

No.89,Huahan Road, chenghua Zone Chengdu, Sichuan China Zip Code:610000



Test data



成都利德尔科技有限公司 ChengDu Leader Microwave Technology Co.,Ltd

电话: 028-65199117 传真: 028-65199116

http://www.leadermicrowave.com sales@leader-mw.com

TEL: +86-28-65199117 FAX: +86-28-65199116

Add: 中国 成都市成华区华翰路 89 号 610000

No.89,Huahan Road, chenghua Zone Chengdu, Sichuan China Zip Code:610000